



Technical Data

DesignerSeries™ High Pressure Laminate Maximum Height Partitions and Screens

2040 SERIES

SPECIFICATION

Height: 71 3/4" (1822mm) Doors and Panels with Standard 4-1/2" (114mm) Floor Clearance
Floor Clearance Option: 9" (229mm) or 12" (305mm)

MATERIAL

Stiles* — 1" (25mm) finished thickness: 3-ply, 45-lb (20.4-kg) density, resin-impregnated particle board is bonded to each side of 11-gauge (3.2mm) sheet steel that serves as reinforcing core; surfaces and edges are .050" (1.3mm) thick, high-pressure plastic laminate with colored face sheets and matte finish.

Standard Size Stiles:

- For compartments — 3", 4", 5", 6", 7", 8", 10", 12", 16", 18", 20", or 24" (76, 102, 127, 152, 179, 203, 254, 305, 406, 457, 508, 610mm) wide.
- For screens — 6" (152mm) wide.
- Floor-anchored — 75 1/4" (1911mm) high.
- Overhead-braced — 83" (2108mm) high.
- Floor-to-ceiling anchored — Up to 120"(3048mm) ceiling height.
- Ceiling-hung — 90 1/2" (2299mm) high for 96" (2438mm) ceilings or as required up to 120" (3048mm) ceilings.

Panels — 1" (25mm) finished thickness: 3-ply, 45-lb (20.4-kg) density, resin-impregnated particle board; surfaces and edges are .050" (1.3mm) thick, high-pressure plastic laminate with colored face sheets and matte finish.

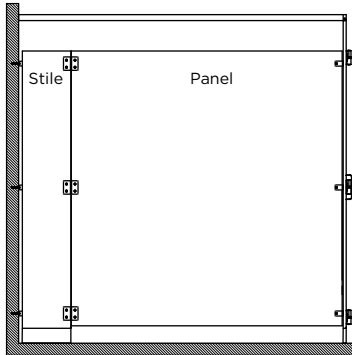
Standard Size Panels:

- For compartments — Up to 84" (2134mm) wide; 71 3/4" (1822mm) high.

Designer's Notes:

If the width of the panel exceeds 60" (1524mm), the layout will need to be redesigned with the following option:

- Add an in-line stile at the back wall to accommodate a large stall depth.



Inline Stile at Back Wall
Side View

Urinal Screens — 1" (25mm) finished thickness: 3-ply, 45-lb (20.4-kg) density, resin-impregnated particle board; surfaces and edges are .050" (1.3mm) thick, high-pressure plastic laminate with colored face sheets and matte finish.

Standard Size Urinal Screens:

- For wall-hung screens — Up to 24" (610mm) wide; 71 3/4" (1822mm) high.
- For ceiling-hung, floor anchored and post-to-ceiling screens — Up to 60" (1524mm) wide; 71 3/4" (1822mm) high.

Doors — 1" (25mm) finished thickness: 3-ply, 45-lb (20.4-kg) density, resin-impregnated particle board; surfaces and edges are .050" (1.3mm) thick, high-pressure plastic laminate with colored face sheets and matte finish.

Standard Size Doors:

- Inswing and outswing doors are standard 22" to 37" (559 to 940mm) wide; 71 3/4" (1822mm) high.

Posts (for 2043 Series screens only) — 1-1/4" (32mm) square tubing; 18-8, Type-304, 18-gauge (1.2mm) stainless steel with satin finish. Floor and ceiling connections are constructed of 18-8, Type-304, heavy-gauge stainless steel. Furnished in 120" (3048mm) lengths; to be cut in field to job specifications.

Standard Size Post:

- For 2043 Series post-to-ceiling screens only. 1 1/4" (32mm) square. 120" (3048mm); cut to required height in field.

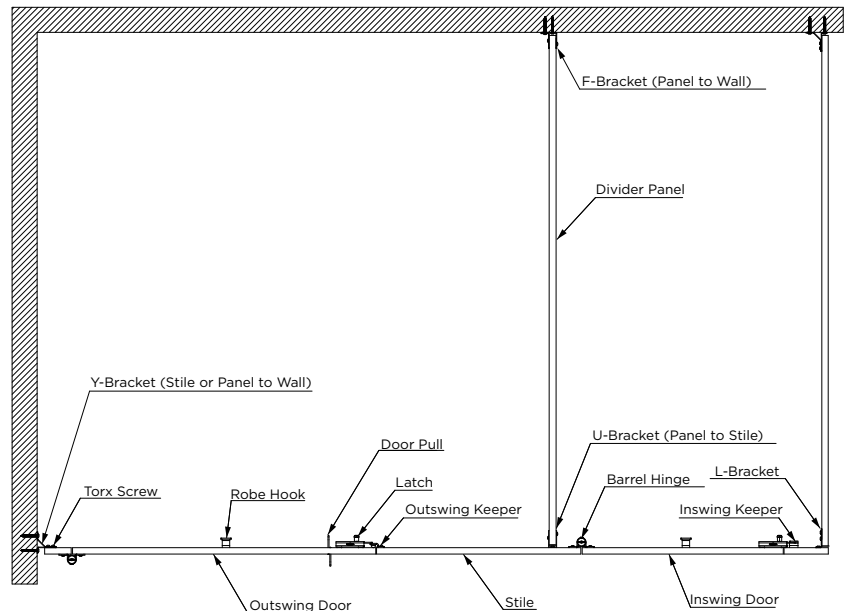
Headrail (for 2042 Series compartments only) — Extruded anodized aluminum. Enclosed construction with sloping top. Face has raised grip-resistant edge.

Designer's Notes:

- Headrails with integral curtain tracks and hooks are available for compartments without doors. Optional vinyl curtains are available.

Wall Posts — 1" by 1 1/2" (2.5 by 38mm) wide tubing; 18-8, Type-304, 16-gauge (1.6mm) stainless steel with satin-finish. 72" (1829mm) high, pre-drilled for hinge hardware.

TOP VIEW OF 2042 (BARREL HINGE AND STANDARD BRACKET) INSTALLATION.

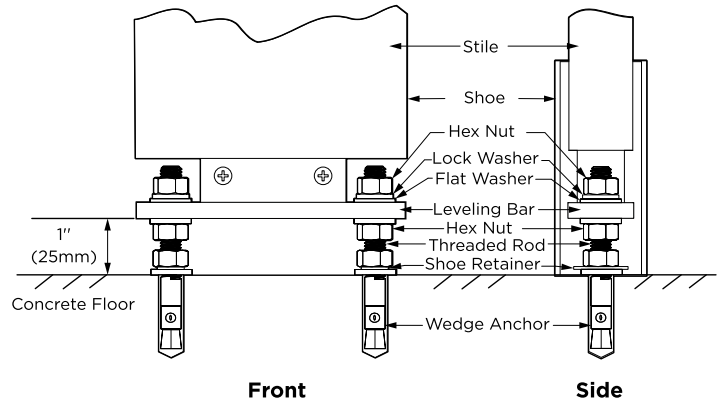


ANCHORING DEVICE:

Leveling Device — 3/8" x 7/8" (10 x 22mm) steel bar is welded to sheet-steel core of stile, forming a single structural unit; furnished with 3/8" (10mm) diameter threaded rods, hex nuts, lock washers, flat washers, expansion shields, and shoe retainers.

Shoe — 18-8, Type-304, 22-gauge (0.8mm) stainless steel with satin finish; 4" (102mm) high. *Stiles for 2046 Series floor-to-ceiling anchored have a leveling device at each end.

#1002701 FLOOR ANCHOR

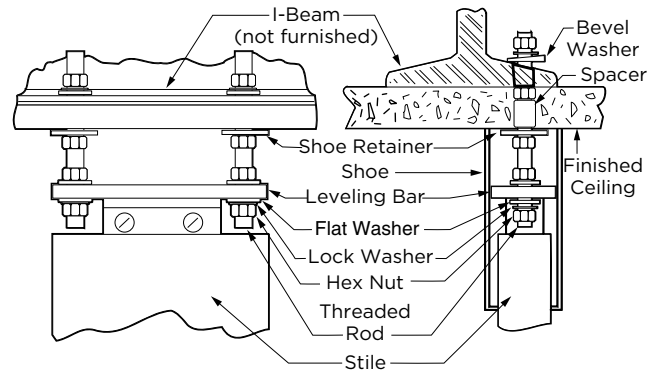


CEILING LEVELING DEVICE

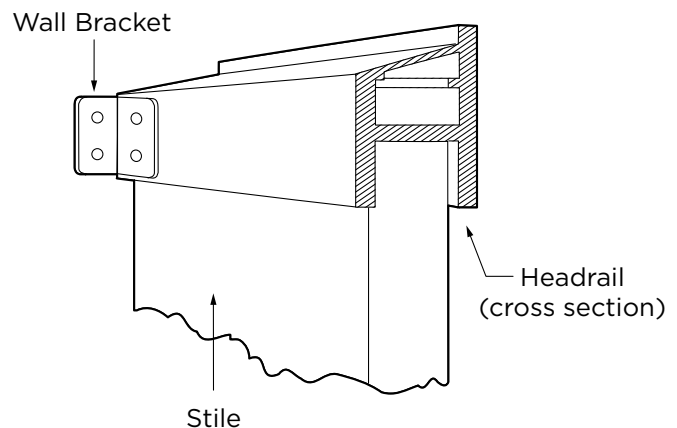
Provisions must be in the construction of the building to support ceiling-hung toilet partitions. Structure in ceiling, not furnished by Bobrick, must support at least 295 lbs. per high pressure laminate toilet compartment, and must be sufficiently rigid to withstand swinging motion of toilet partition doors and impact of doors against stiles. Actual mounting system, including lateral bracing, if required, must be designed by the architect or structural engineer, and furnished by others.

Wood beams are not recommended for ceiling hung application. **Note:** If adequate ceiling support cannot be provided, the floor-anchored or overhead-braced toilet compartments are recommended.

Approximate Weight: High Pressure Laminate Toilet Compartment - 295 lbs.



HEADRAIL INSTALLATION DETAIL



COMMERCIAL HARDWARE (STANDARD)

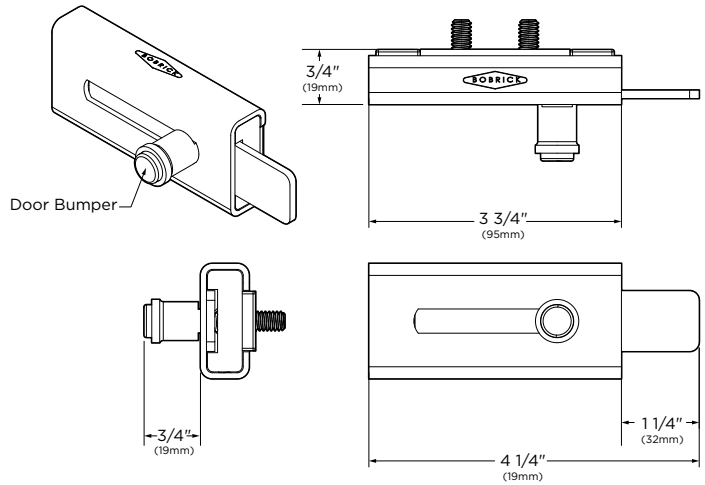
Hinges, door latch, door keepers, clothes hooks, mounting brackets and door handles are constructed of 18-8, Type-304, heavy-gauge stainless steel with satin finish.

Threaded inserts are factory installed for securing hinges and door latch. Theft-resistant, stainless steel pin-in-head, torx screws are furnished for door hardware and all mounting brackets.

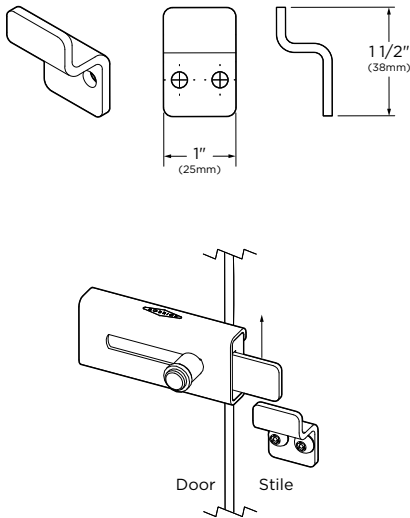
Balanced hinge is adjustable to hold door of unoccupied toilet compartment partially open or fully closed.

Toilet compartment door is locked from inside by sliding door latch into keeper. A locked compartment may be opened from outside by lifting door to disengage latch from keeper. Track of door latch prevents inswing door from swinging out beyond stile; on outswing door, the door keeper prevents it from swinging in beyond stile. Door handles and latch have operable parts that are operable with one hand and do not require tight grasping, pinching, or twisting of the wrist; and comply with ADA Sections 404.2.7 and 309.4. The force required to activate the operable parts shall be 5 pounds (22.2N) maximum. Black rubber bumper on the latch serves as door bumper for inswing door.

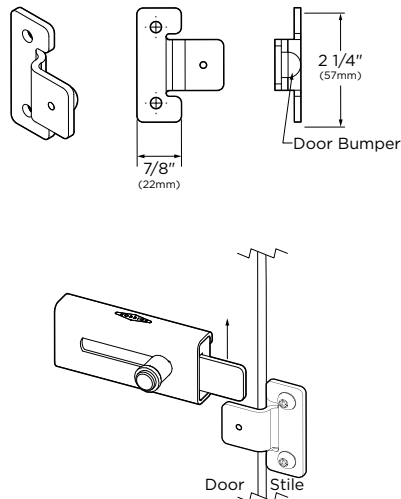
#1040-42 LATCH ASSEMBLY



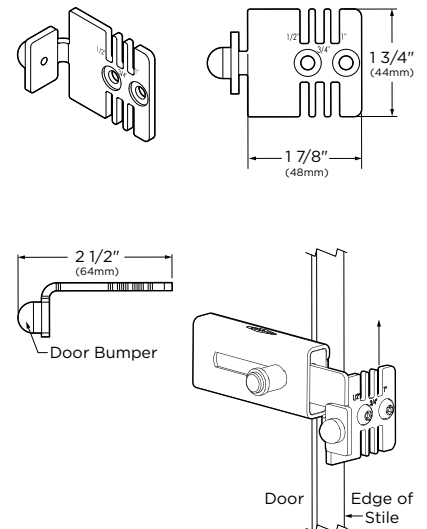
1040-35 KEEPER, INSWING



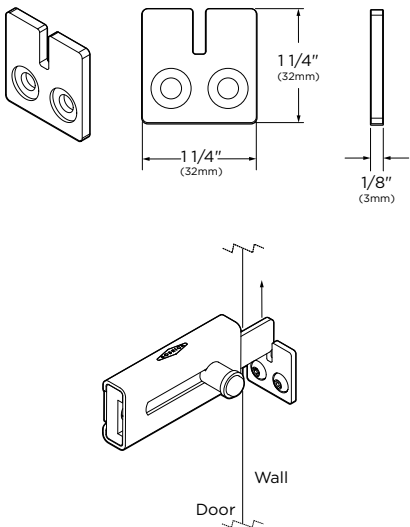
1040-36 KEEPER, OUTSWING



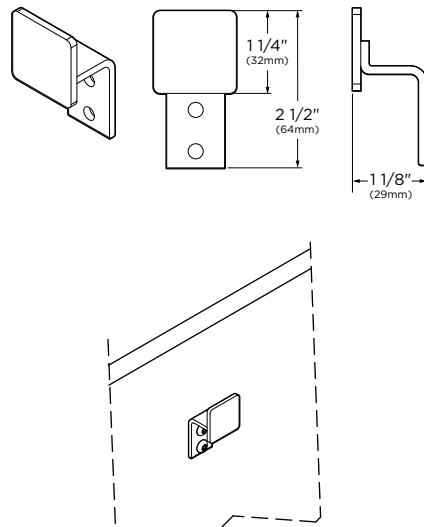
1040-39 PERPENDICULAR



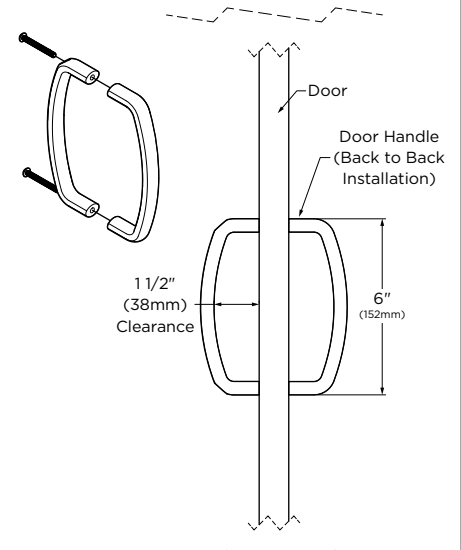
#1040-56 WALL MOUNTED KEEPER INSWING



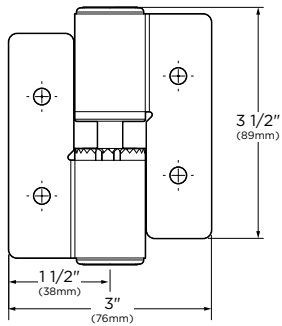
#1000869 COAT HOOK



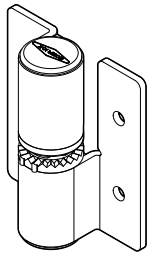
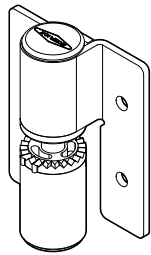
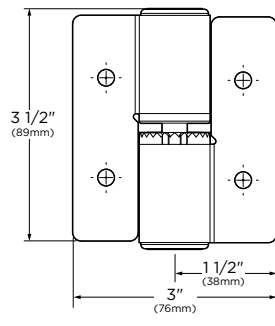
#1000312 DOOR PULL HANDLE



**#1002330
BARREL HINGE SET, L**



**#1002331
BARREL HINGE SET, J**

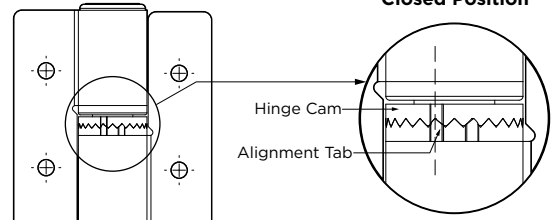


**#1002156
Hinge Cam**

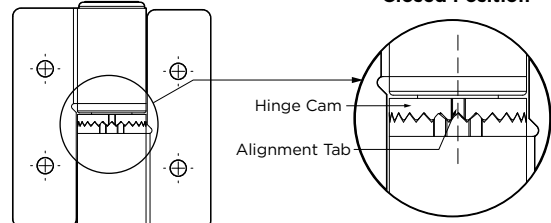


CAM SETTINGS

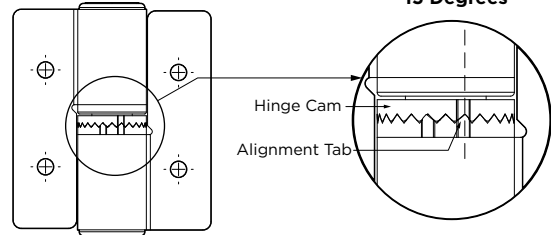
**Door Beyond
Closed Position**



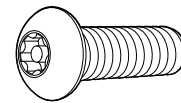
**Door Normal
Closed Position**



**Door Remain Open
15 Degrees**



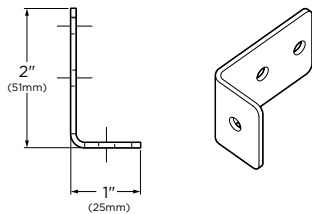
Hinges are constructed of 18-8, Type-304, heavy-gauge stainless steel with satin finish. Threaded inserts are factory installed for securing hinges. Theft-resistant, stainless steel pin-in-head, torx screws are furnished for door hardware. Balanced hinge is adjustable to hold door of unoccupied toilet compartment partially open or fully closed.



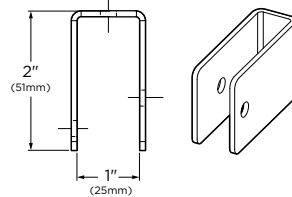
**#1002494
1/4-20 x 3/4"
Pin-in-Head Torx Screw**

BRACKETS (STANDARD):

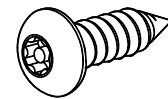
**#1000351
L-Bracket
(Panel to Corner Stile)**



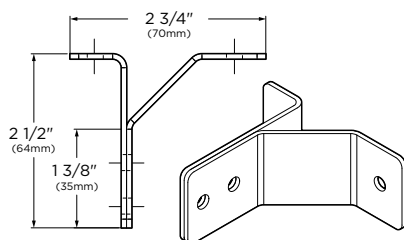
**#1000356
U-Bracket
(Panel to Perp. Stile)**



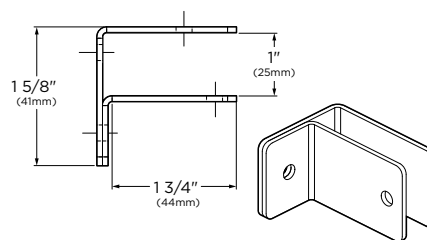
**#1002500
#12 x 3/4" Pin-in-Head Torx Screw
Panel/Stile Screw**



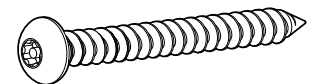
**#1000974
Y-Bracket
(Stile to Wall)**



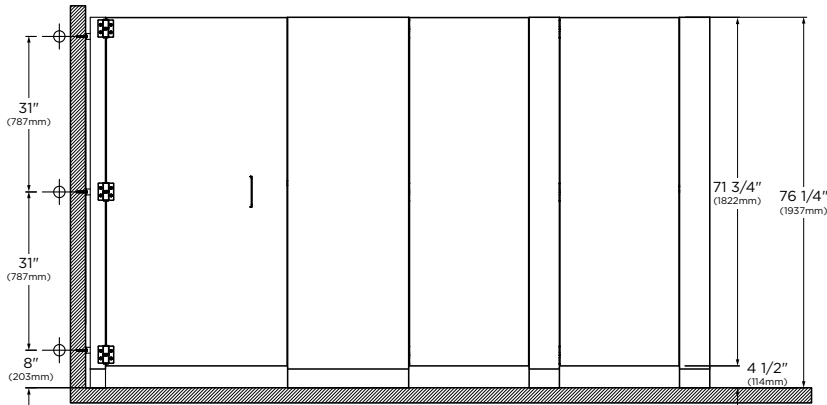
**#1000353
F-Bracket
(Panel to Wall)**



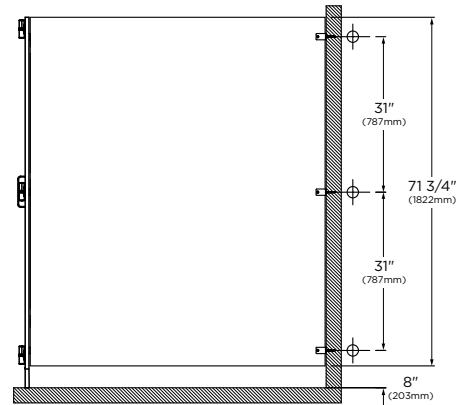
**#1002495
#12 x 2" Pin-in-Head Torx Screw
(M5.5 x 50mm) Wall Screw**



2041 SERIES FLOOR ANCHORED



Front View



Side View

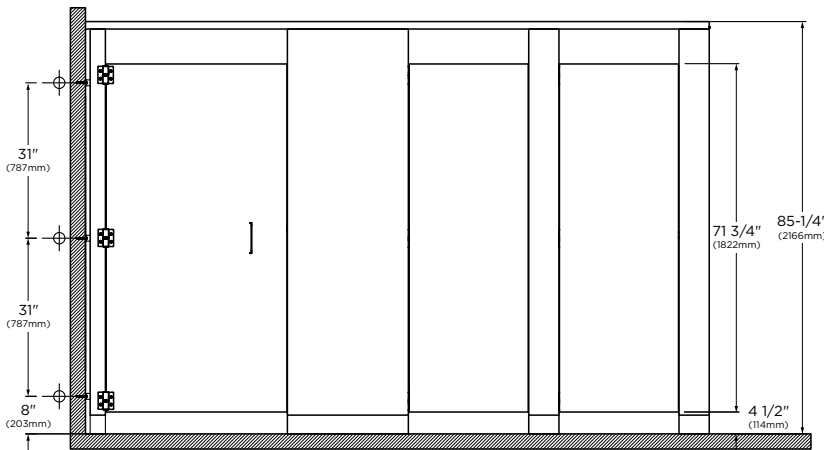
STANDARD:

- #2041 - Barrel Hinge and Standard Bracket

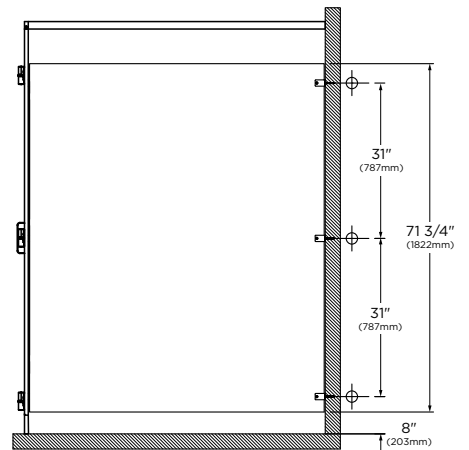
MODEL OPTIONS:

- #2041.65 - Continuous Hinge and Continuous Bracket
- #2041.65D - Continuous Hinge and Standard Bracket
- #2041.65DDS - Continuous Hinge, Standard Bracket and Door Stop
- #2041.65DS - Continuous Hinge, Continuous Bracket and Door Stop
- #2041.65P - Barrel Hinge and Continuous Bracket

2042 SERIES OVERHEAD-BRACED



Front View



Side View

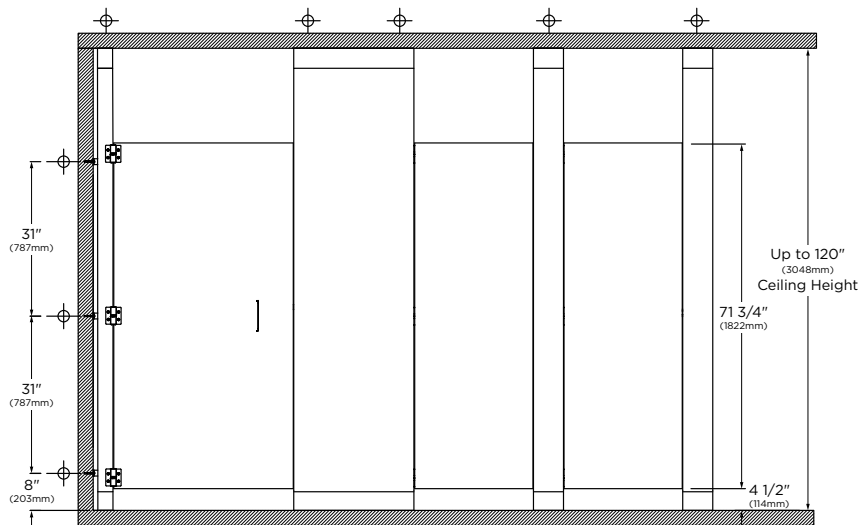
STANDARD:

- #2042 - Barrel Hinge and Standard Bracket

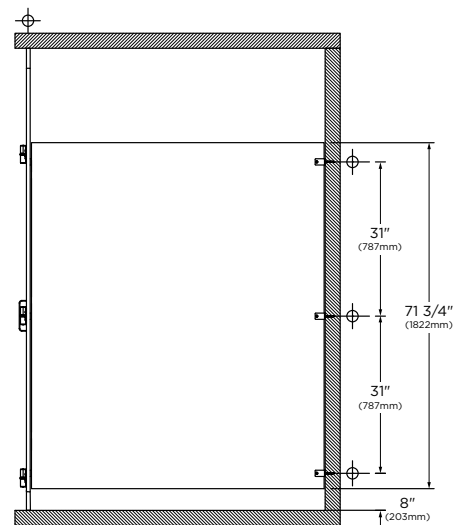
MODEL OPTIONS:

- #2042.65 - Continuous Hinge and Continuous Bracket
- #2042.65D - Continuous Hinge and Standard Bracket
- #2042.65DDS - Continuous Hinge, Standard Bracket and Door Stop
- #2042.65DS - Continuous Hinge, Continuous Bracket and Door Stop
- #2042.65P - Barrel Hinge and Continuous Bracket

2046 SERIES FLOOR-TO-CEILING



Front View



Side View

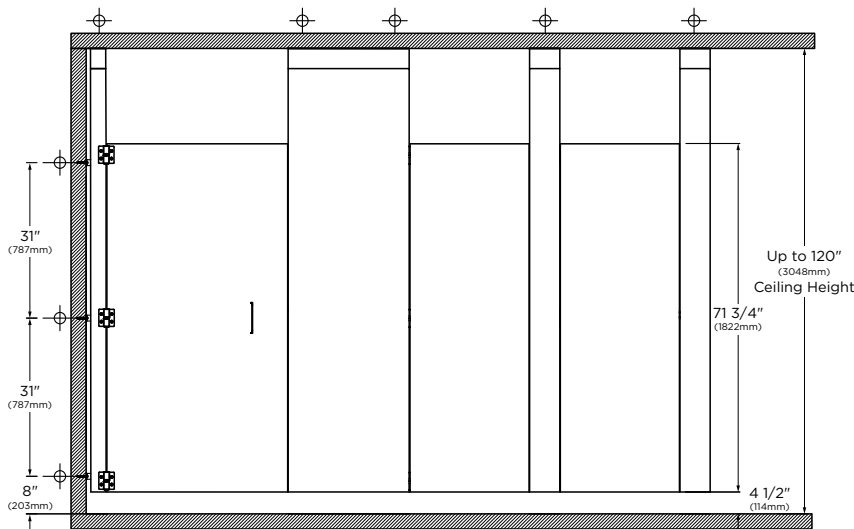
STANDARD:

- #2046 - Barrel Hinge and Standard Bracket

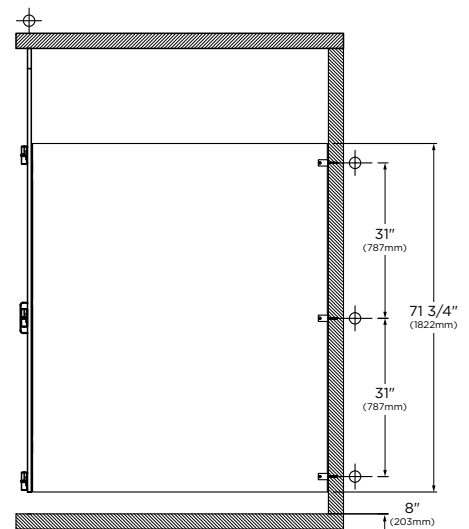
MODEL OPTIONS:

- #2046.65 - Continuous Hinge and Continuous Bracket
- #2046.65D - Continuous Hinge and Standard Bracket
- #2046.65DDS - Continuous Hinge, Standard Bracket and Door Stop
- #2046.65DS - Continuous Hinge, Continuous Bracket and Door Stop
- #2046.65P - Barrel Hinge and Continuous Bracket

2048 SERIES CEILING HUNG



Front View



Side View

STANDARD:

- #2048 - Barrel Hinge and Standard Bracket

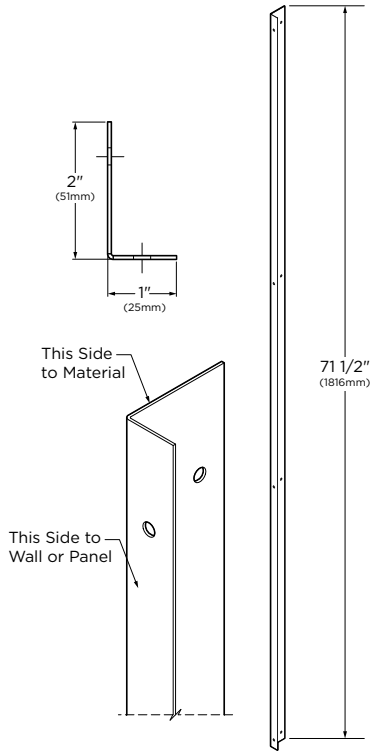
MODEL OPTIONS:

- #2048.65 - Continuous Hinge and Continuous Bracket
- #2048.65D - Continuous Hinge and Standard Bracket
- #2048.65DDS - Continuous Hinge, Standard Bracket and Door Stop
- #2048.65DS - Continuous Hinge, Continuous Bracket and Door Stop
- #2048.65P - Barrel Hinge and Continuous Bracket

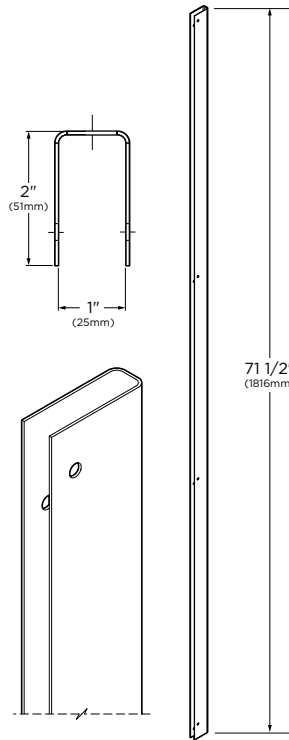
CONTINUOUS .65 BRACKET (OPTION):

Mounting brackets are constructed of 18-8, Type-304, heavy-gauge stainless steel with satin finish: one-piece, full-height U-channels and angle brackets are 18 gauge (1.2mm). U-channels secure panels to stiles, and angle brackets secure panels and stiles to walls. Theft-resistant, stainless steel pin-in-head, torx screws are furnished for U-channels, strip bracket and angle brackets.

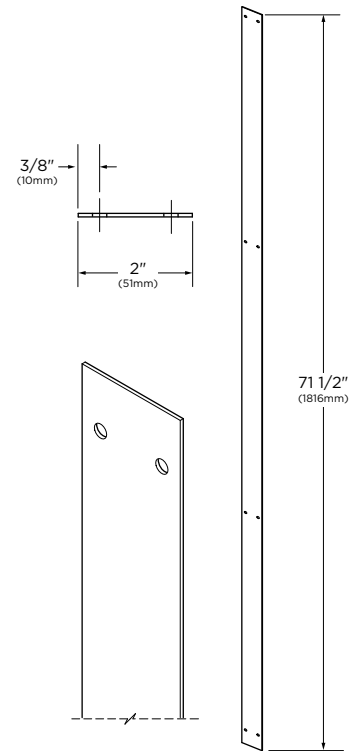
#1001371 Angle Bracket



#2040-132 U-Channel



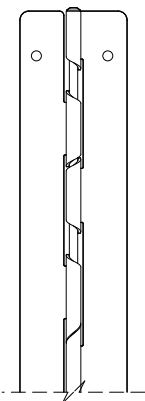
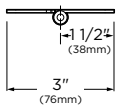
#1002389 Strip Bracket



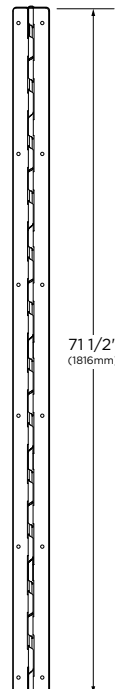
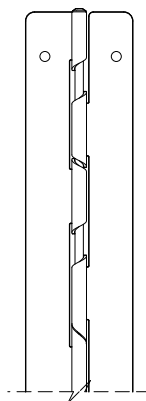
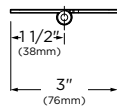
CONTINUOUS .65 HINGES (OPTION):

Hinges are constructed of 18-8, Type-304, heavy-gauge stainless steel with satin finish: one-piece, full-height hinge is 16 gauge (1.6mm); Theft-resistant, stainless steel pin-in-head, torx screws are furnished for door hardware. Doors are equipped with a gravity type self-closing hinge. Threaded inserts are factory installed to secure door hinge. **The continuous hinge (.65 option) depends on the weight of the door to return the hinge to its closed position, which may result in door slamming.**

**#1002924
Left-Hand Inswing or
Right-Hand Outswing**

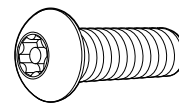


**#1002925
Right-Hand Inswing
or Left-Hand Outswing**



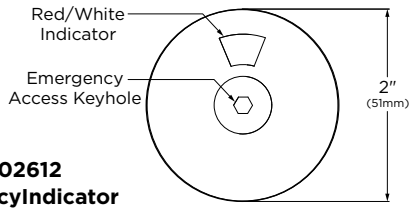
HINGE CAM MAINTENANCE:

Cleaning and lubricating hinge is required to avoid failure of hinge mechanism. Must use a Teflon type based lubricant such as Tri-Flow Superior Lubricant with P.T.F.E. It is not recommended to use machine oil or WD-40 which will collect dust and dirt.



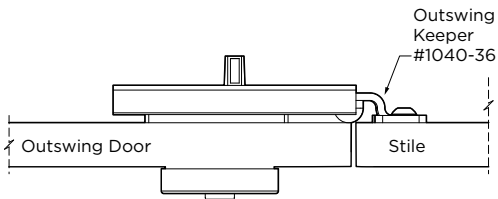
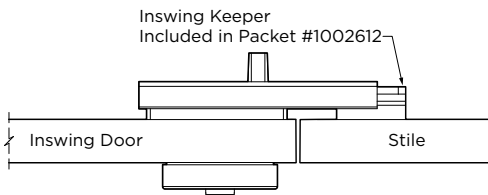
**#1002494
1/4-20 x 3/4"
Pin-in-Head Torx Screw**

OCCUPANCY INDICATOR LATCH (OPTION):

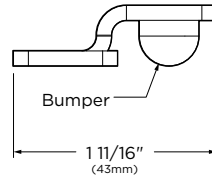


**#1002612
OccupancyIndicator
Latch Packet**

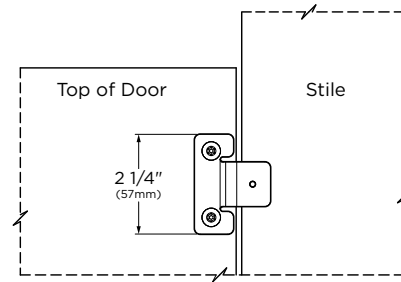
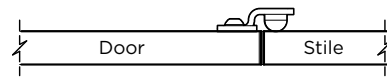
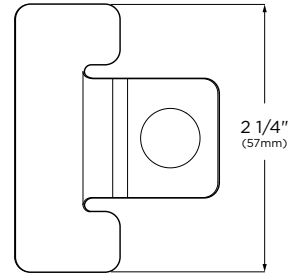
Emergency Access - The latch allows the door to be opened from the exterior of the toilet compartment by inserting a 3mm Allen key into the keyhole in the center of the cover plate and turning the key to release the latch.



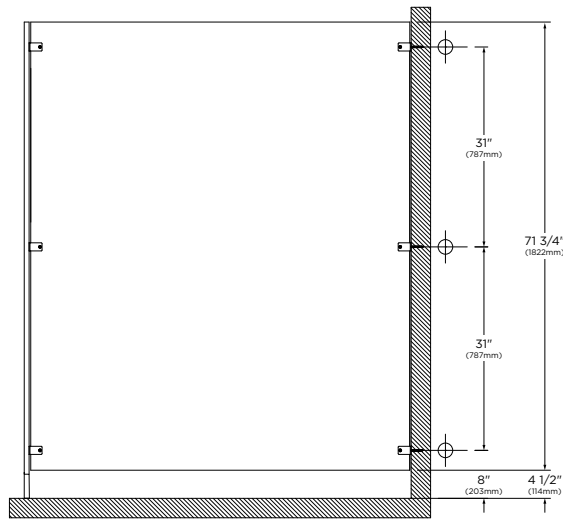
DOOR STOP (OPTION):



**#1040-110
Door Stop Packet**



2040 URINAL SCREENS:



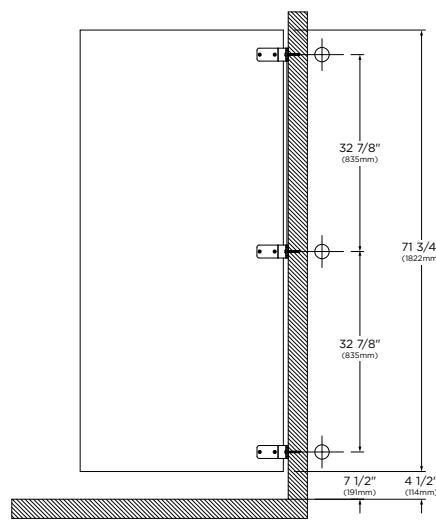
FLOOR ANCHORED URINAL SCREEN

STANDARD:

- #2041 - Standard Bracket

MODEL OPTIONS:

- #2041.65 - Continuous Bracket



WALL MOUNTED URINAL SCREEN

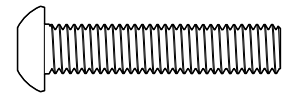
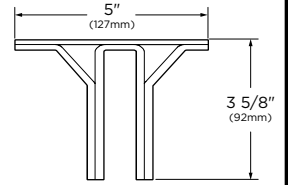
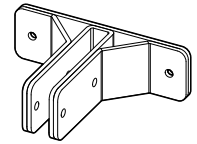
STANDARD:

- #2045 - Standard Bracket

MODEL OPTIONS:

- #2045.65 - Continuous Bracket

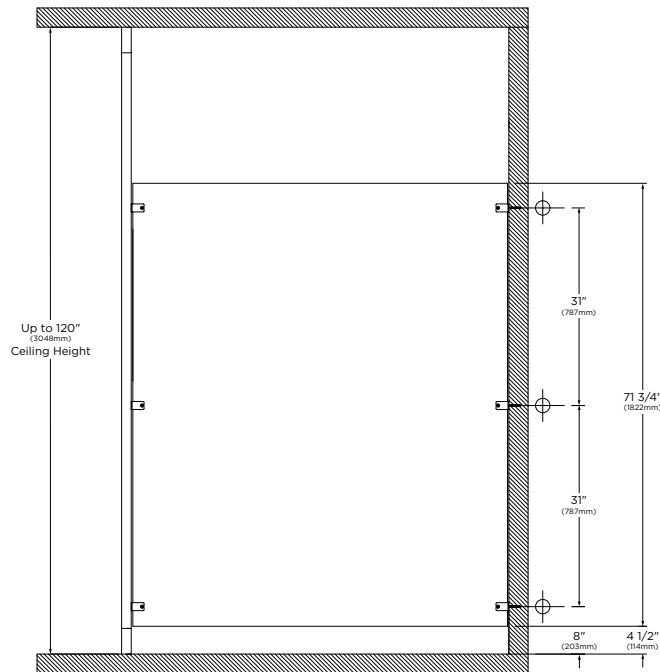
**#1000357
W/H Urinal Screen Bracket**



**#1000134
#10-32 x 1-3/4" (44mm)
Phillips**



**#1000133
Acorn Nut #10-32
Through-Bolt
Urinal Screen**



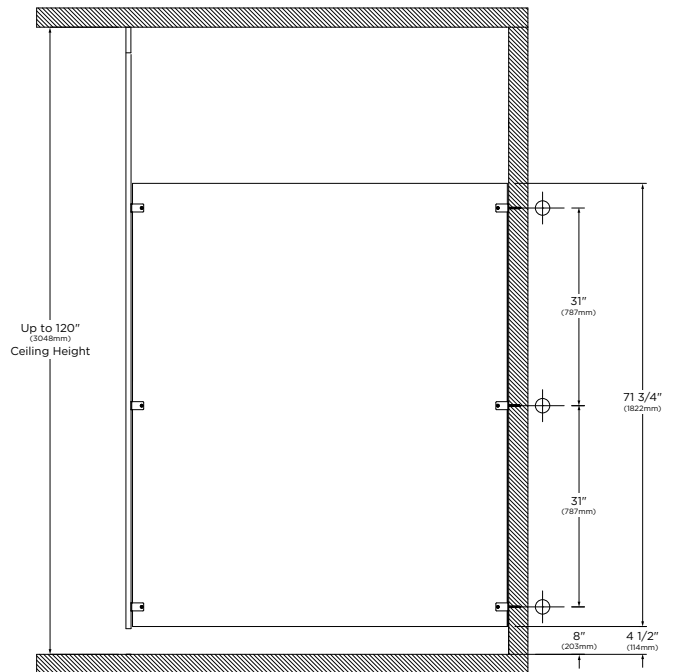
POST-TO-CEILING URINAL SCREEN

STANDARD:

- #2043 - Standard Bracket

MODEL OPTIONS:

- #2043.65 - Continuous Bracket



CEILING-HUNG URINAL SCREEN

STANDARD:

- #2048 - Standard Bracket

MODEL OPTIONS:

- #2048.65 - Continuous Bracket

INSTALLATION:

Refer to Bobrick installation instructions packed with each shipment. Also available on bobrick.com. Form No. 2040-69.

NOTES:

1. Where water from showers or hose-down cleaning comes in contact with partitions, Bobrick 1080 Series water-resistant, solid phenolic partitions are recommended.
2. Ceiling-hung partitions require structural members (not furnished by Bobrick) in ceiling. For suggested types of ceiling support systems, see Bobrick Advisory Bulletin TB-32.
3. Wall backing is required to secure the mounting brackets of panels, stiles, and wall posts. For suggested wall backing, see Bobrick Advisory Bulletin TB-46.
4. Floor-anchored stiles are furnished with expansion anchors and threaded rods. The expansion anchors require minimum 2" (50mm) penetration into minimum 3" (75mm) thick structural concrete.
5. Bobrick stainless steel partition-mounted washroom accessories are available for mounting in panels between two compartments. See current Bobrick Catalog for description of accessories. Cutouts in panels can be pre-cut for Bobrick models at factory if location and size of all cutouts and Bobrick model numbers are furnished at time of order.
6. When the cam has been set at the desired free resting position, "either closed or open" the top of the affixed components will be aligned.

GUARANTEE:

The Bobrick toilet partition panels, doors and stiles are warranted for a period of **2 years** against breakage, corrosion, delaminating and defects in workmanship from the date of purchase for the periods set forth (this limited warranty is conditioned on the toilet partitions being properly installed, used and serviced). Spraying down or hosing HPL partitions voids warranty. Any products returned to Bobrick under this guarantee will be repaired or replaced at no charge.

SPECIFICATION:

High pressure laminate _____ (insert one: toilet partitions, dressing compartments, urinal screens, entrance screens) shall be _____ (insert one: floor-anchored, overhead-braced, ceiling-hung, wall-hung, post-to-ceiling). Stiles, panels and doors shall have a finished thickness of 1" (25mm). Core of panels and doors shall be 3-ply, 45-lb (20.4-kg) density, resin-impregnated particle board. Stiles shall have 3-ply, 45-lb (20.4-kg) density, resin-impregnated particle board bonded to each side of 11-gauge (3.2mm) sheet steel that serves as reinforcing core. Stiles shall have leveling device that is welded to the sheet-steel core and concealed by a one-piece, Type-304, satin-finish stainless steel shoe that is 4" (100mm) high. Surfaces and edges shall be .050" (1.3mm) thick, high-pressure laminate with colored face sheets and matte finish; bonding shall be done using adhesives especially formulated to prevent delamination from moisture and heat normally existing in public washrooms. Stiles, panels and doors shall be _____ (insert color name and number from current Bobrick Catalog). Headrails for overhead-braced compartments shall be anodized aluminum with satin finish. All door hardware and mounting brackets shall be Type-304 stainless steel with satin finish. No door hardware or mounting brackets shall be exposed on exterior of compartments, except on outswing doors. Threaded inserts shall be factory installed for securing hinges on doors and for securing door latches. Theft-resistant, stainless steel pin-in-head, torx screws shall be furnished for door hardware and all mounting brackets. A clothes hook shall be furnished for each door. Hinges shall be adjustable to hold doors of unoccupied compartments partially open or fully closed, and shall allow a locked compartment to be opened from outside by lifting door to disengage latch from keeper.

*To specify continuous hardware, replace end of specifications paragraph with: .65 option All door hardware, U-channels, and angle brackets shall be Type-304 stainless steel with satin finish: one-piece, full-height hinges shall be 16 gauge (1.6mm); one-piece door keepers shall be 11 gauge (3.2mm); one-piece, full- height U-channels and single brackets shall be 18 gauge (1.2mm). U-channels shall be furnished to secure panels to stiles, and angle brackets furnished to secure panels and stiles to walls. Theft-resistant, stainless steel pin-in-head, torx screws shall be furnished for door hardware, U-channels, and angle brackets. Hinges shall allow locked compartment to be opened in emergency from outside by lifting door to disengage latch from keeper. Doors shall be equipped with a self-closing hinge. Threaded inserts shall be factory installed to secure all door hinges and latches.

_____ (insert one: Toilet Partitions, Dressing Compartments, Shower Dividers, Urinal Screens, Entrance Screens) shall be _____ Series (insert series number) of Bobrick Washroom Equipment, Inc., Clifton Park, New York; Jackson, Tennessee; Los Angeles, California; Bobrick Washroom Equipment Company, Scarborough, Ontario; Bobrick Washroom Equipment Pty. Ltd., Australia; and Bobrick Washroom Equipment Limited, United Kingdom.